

1

2

3

4

5

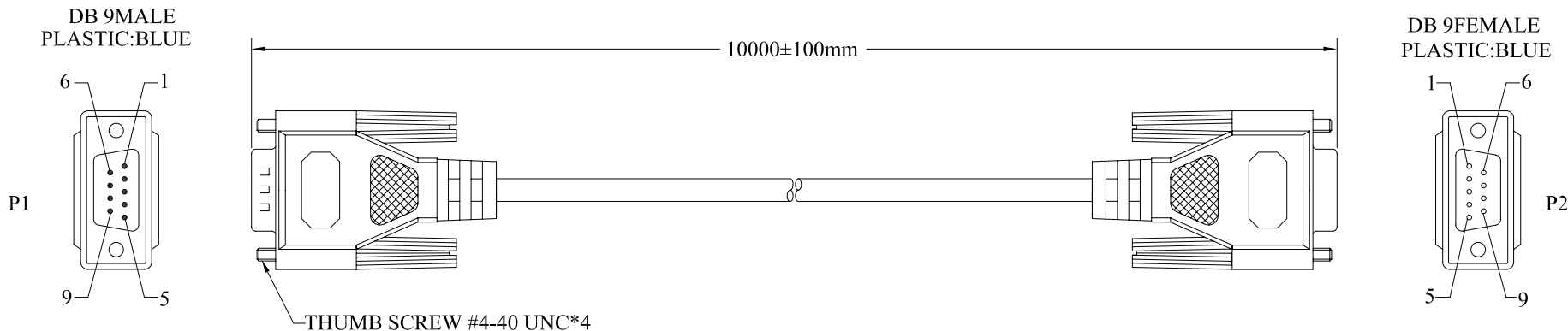
6

7

Signature	Revision History	Date	Rev.
Alex Dan	For Bulk Production	Dec.20,2005	01

A

A



B

B

C

C

D

D

NOTES:

- 1.CABLE:9C*28AWG(7/0.127) TINNED COPPER INSULATION:PVC+DRAIN WIRE 28AWG +AL/MYLAR+JACKET:PVC COLOR:BEIGE, OD:Ø5.0±0.15mm NON-UL
- 2.CONNECTOR:
P1:DB 9P MALE GOLD FLASH CONTACT,NICKEL PLATED SHELL.
P2:DB 9P FEMALE GOLD FLASH CONTACT,NICKEL PLATED SHELL.
- 3.HOOD:P1&P2:MOLDED TYPE,PVC 45P, COLOR:BEIGE.
- 4.ELECTRONIC TEST:
<1>.100% OPEN SHORT MIS WIRE TEST.
<2>.CONTACT RESISTANCE 3 OHMS MAX
<3>.INSULATION RESISTANCE 20 M OHMS MIN
- 5.PACKING:SEE P-0039 REV.C PACKING DRAWING
(HANKING SIZE MUST BE SMALLER THAN PACKING)
PACKING TYPE: DB VP5.

PIN OUT	
P1	P2
1	1
2	2
3	3
4	4
5	5
6	6
7	7
8	8
9	9
SHELL	SHELL

E

E

F

F

G

G

Date		Name		Part No.	
Drawn by	Dec.20,2005	Alex Dan		AK 180 10M	
Checked by	Dec.20,2005	Norman Xu			
Approved by					
ASSMANN Electronic GmbH				Title.	
				DB9/M - DB9/F CABLE	
				Scale	N/A
Unit	MM				

H

H

RoHS Compliant

EAN Code:
4016032062912

ST81407

1

2

3

4

5

6

7