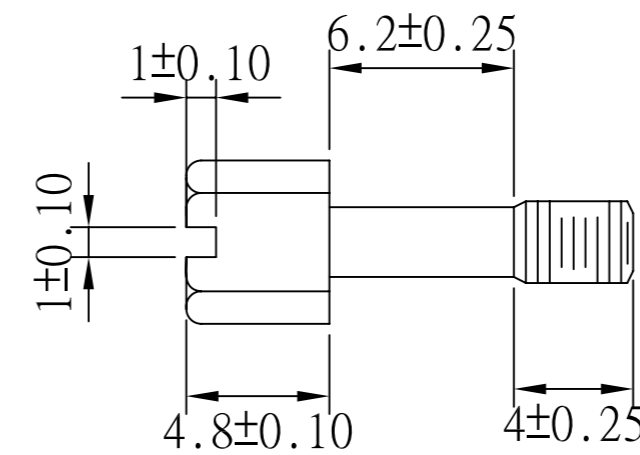
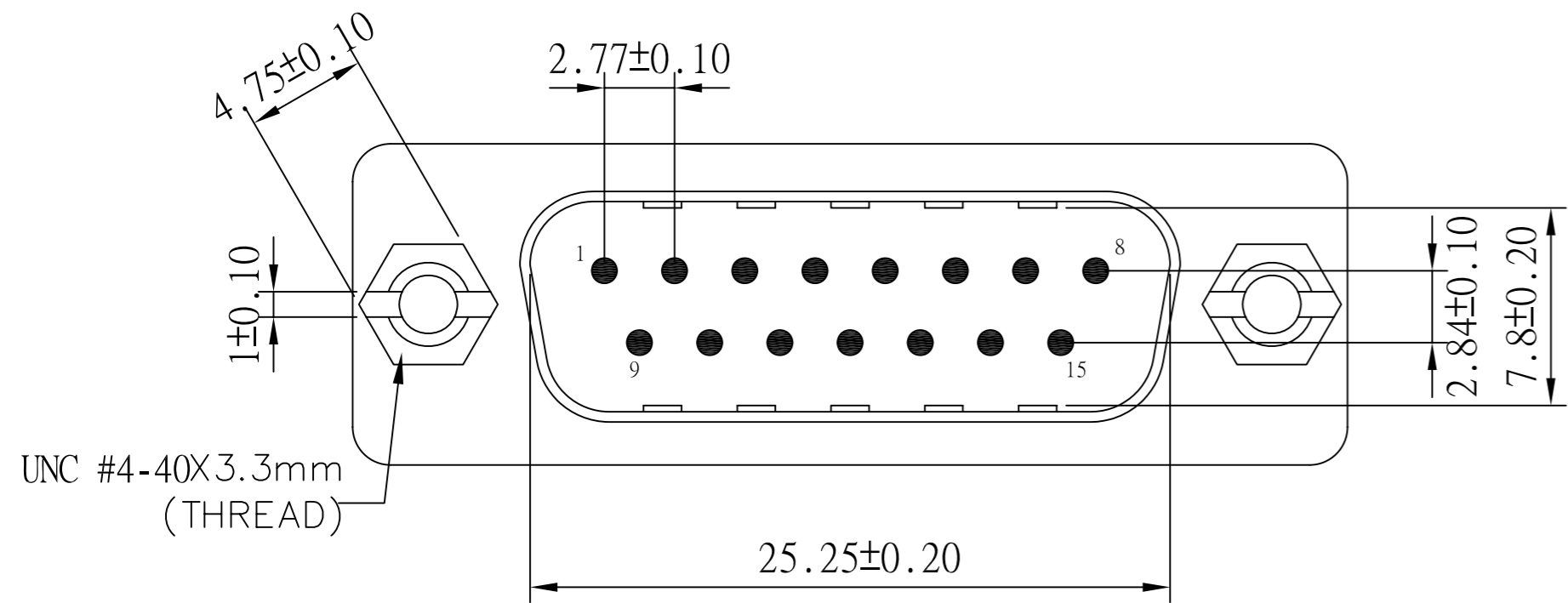


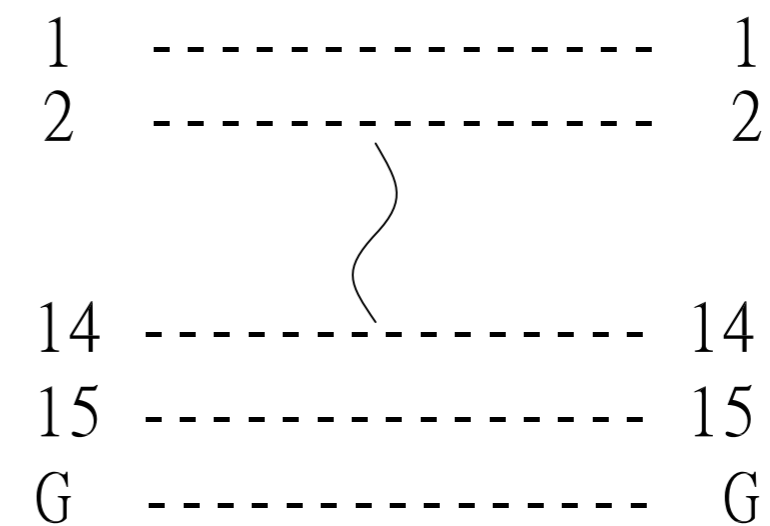
UNC #4-40 Hexscrew



DGC 15 M/M GENDER CHANGER

PIN OUT: 15Male

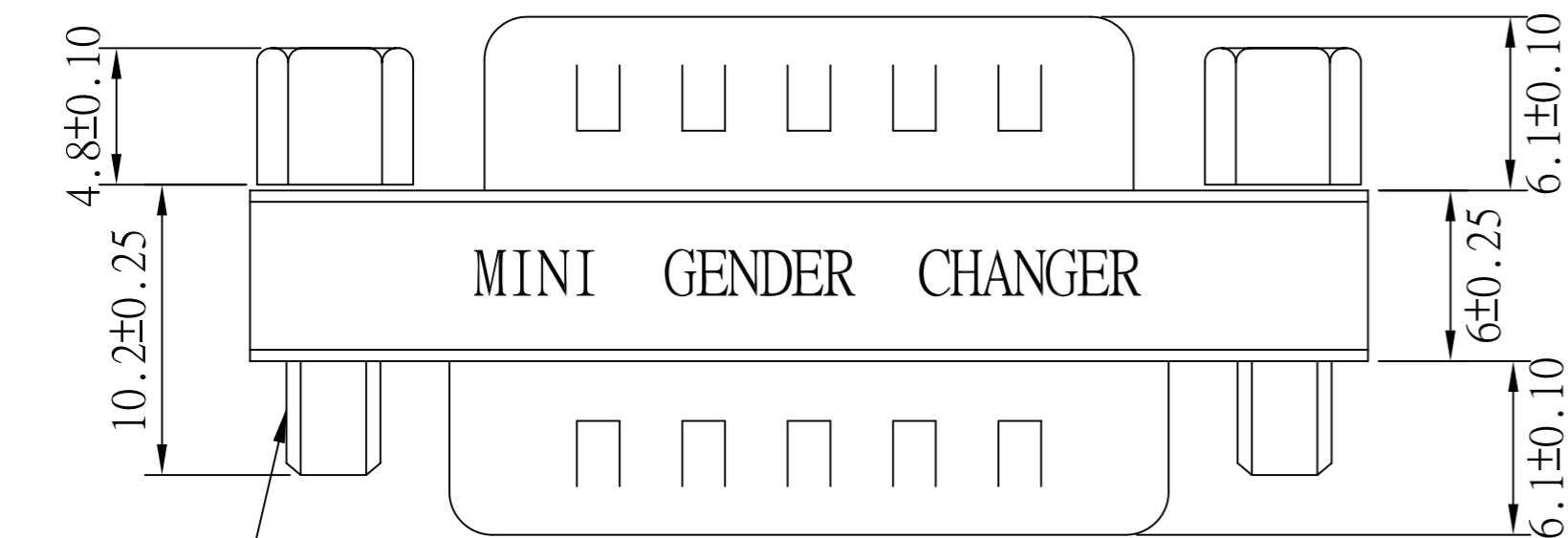
15Male



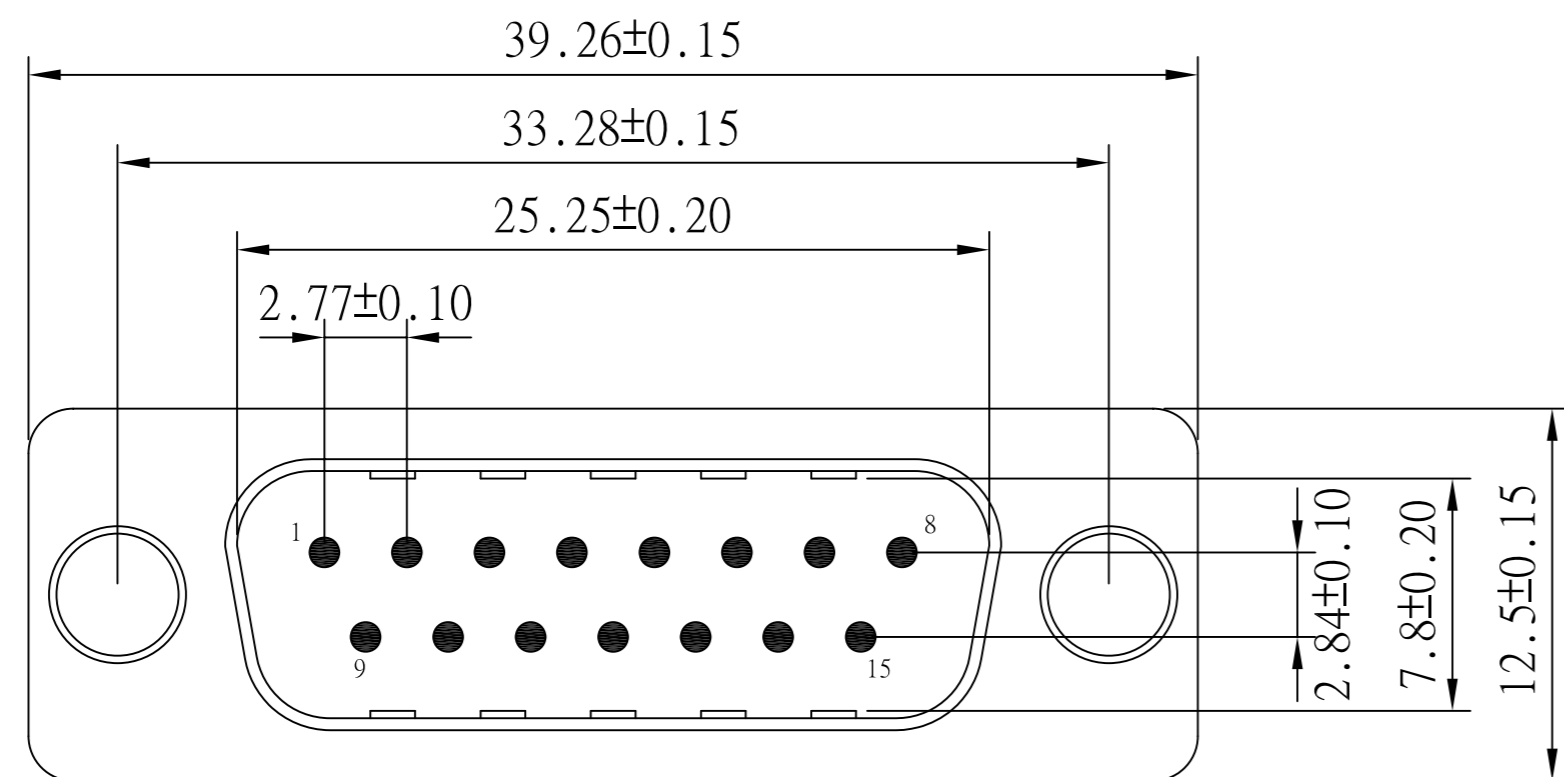
Label: yellow color with black character  
 One side: MINI GENDER CHANGER  
 The other side: U.S.A. PATENT 5199906 GENDER CHANGER

SPECIFICATION

INSULATOR: PBT Glass fibre reinforced UL 94 V0  
 CONTACT: Brass  
 CONTACT PLATING: Gold plated over nickel  
 SHELL: Tin plated shell  
 CURRENT RATING: 3 AMP  
 DIELECTRIC STRENGTH: 1000V AC for one minute  
 INSULATOR RESISTANCE: 1000MΩ min at 500V DC  
 TEMPERATURE: -55°C — +105°C



UNC #4-40



Edition A2	ASSMANN ELECTRONICS GMBH			
SCALE 2:1	<small>VNLESS OTHER-WISE SPECIFIED TOLERANCE:                  0.0: ±0.20                  0.00: ±0.15                  0.000: ±0.05</small>	PART NO. AB 412	DWG NO.	DATE
UNIT mm		DRAWN <i>Fu Hao</i>	CHECKED	APPRD
Page 1/1				