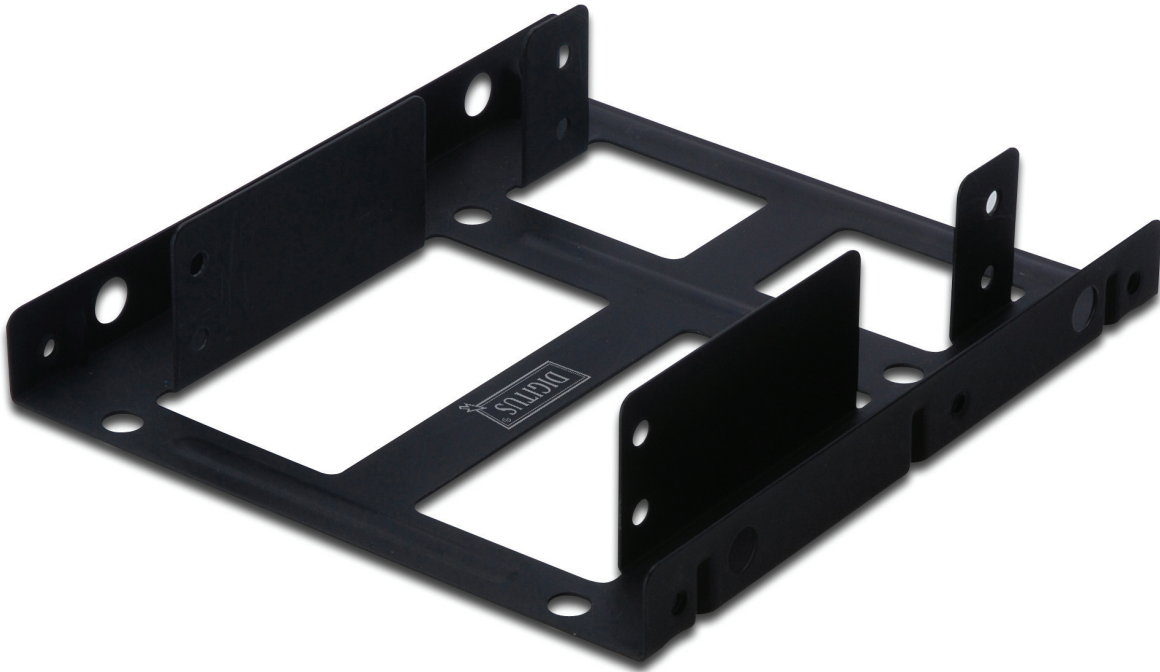




**Mounting KIT:
Dual HDD 2.5 -> one 3.5 BAY**



**User Manual
Model No. DA-70431**

Foreword

Congratulations on your purchase of our product! Before using the product, please read this manual carefully for further recognizing of the product.

I .Hardware Requirement

One computer with free 3.5" bay

II. Features:

- Support dual HDD 2.5
- Application for one 3.5 bay of case

Before using the product, please check the fittings in the package compliant with the below. If not, please contact the local dealers timely.

III. Package content

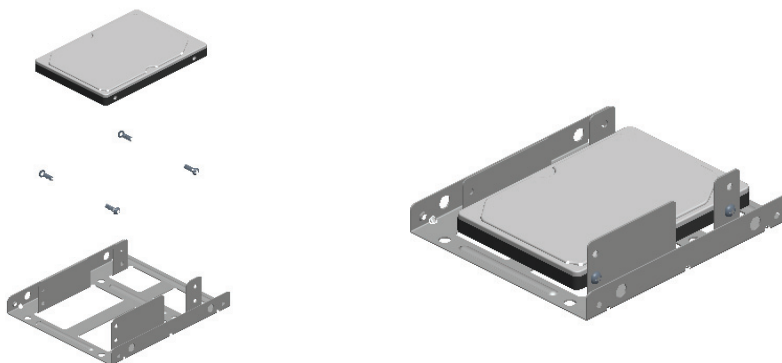
- One HDD Mounting Kit for dual 2.5 HDD
- One Screws bag
- One User Manual

IV. Hardware Installation

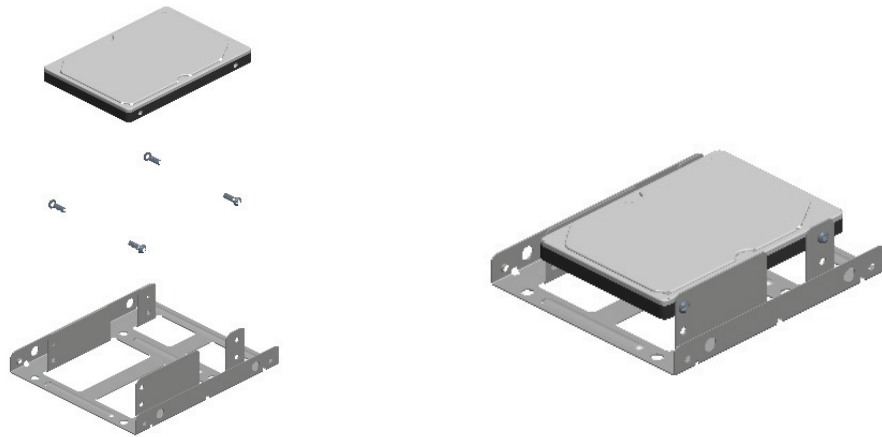
1. Correctly put 2.5 HDD on bracket, and then mount HDD by screws.
2. Switch off the power of computer, take off panels of two sides, and set bracket to 3.5" bay
3. Mount bracket by screws
4. Connect HDD appropriately, install side panels of case, and then connect power cable.
5. Switch on the computer, then HDD will work

A. Install one 2.5 HDD

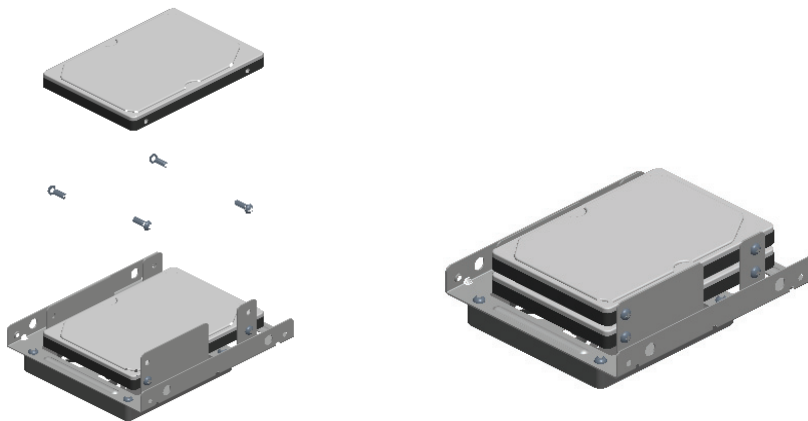
Set HDD on the bottom of bracket



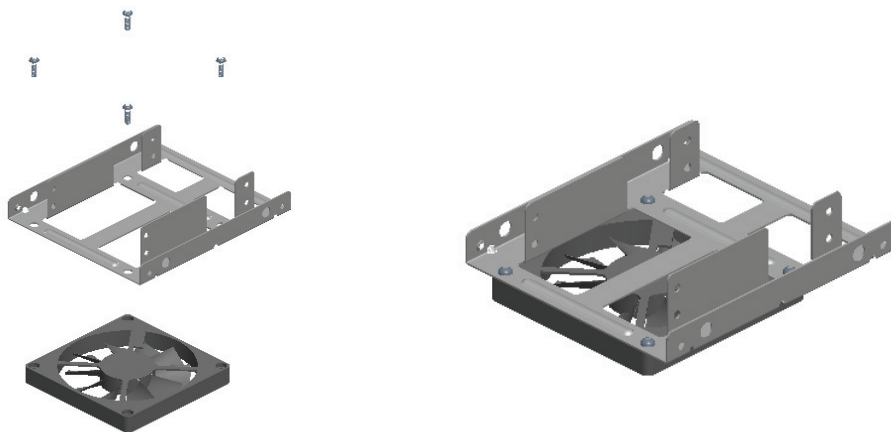
Set HDD on the top of bracket



B. Install the second 2.5 HDD



**C. Possibly to add one 80mm cooling fan on the mounting kit.
(Not including in the package..)**



Disclaimer

All the information in this document is subject to change without prior notice. The manufacturer makes no representations or any warranties regarding the Contents of this manual. The information contained in this manual is provided for the general use by the customers. No part of this document may be reproduced or transmitted in any form by any means without the express written permission of The manufacturer. All brand names and product names used in this document are trademarks or registered trademarks of their respective holders.